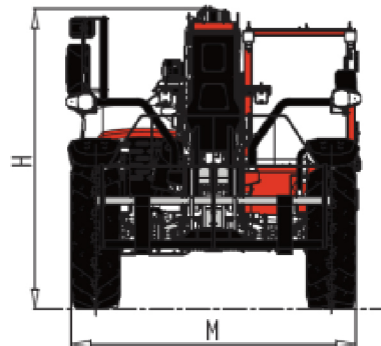
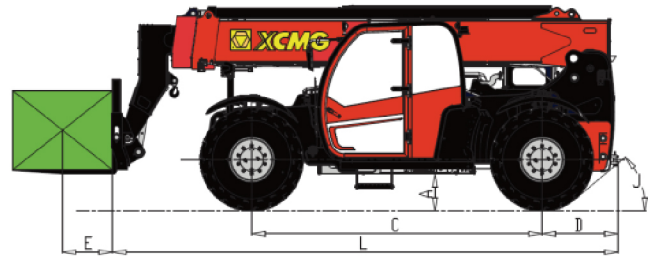
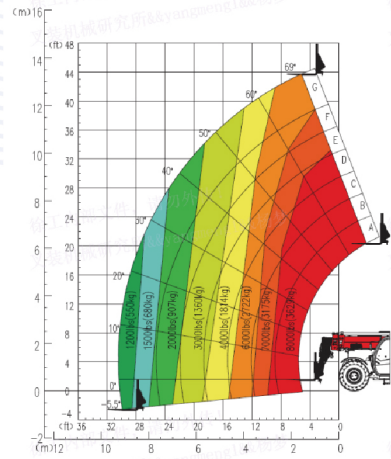


# TELEHANDLERS XT844U



## ► LOAD CHART



## ► DIMENSIONS

Dimensions		Metric	Imperial
Min. ground clearance	A	430mm	16.93in
Front overhang	B	---	---
Wheel base	C	3420mm	134.65 in
Rear overhang	D	1055mm	41.54in
Load center to carriage	E	600mm	23.62 in
Overall length	L	6170mm	242.91 in
Overall height	H	2470mm	97.24 in
Overall width	M	2500mm	98.43in
Approach angle	I	---	---
Departure angle	J	36°	36°

# XT844U



## ▶ PARAMETER

Parameter	Imperial
<b>Dimension</b>	
Overall length(without fork)	20.24ft
Overall width(stabilizers stowed)	8.20ft
Overall height	8.10ft
Wheelbase	11.22ft
Wheel distance	6.89ft
Min. ground clearance	1.41ft
Fork dimension	47×4.8×2in
<b>Weight and tires</b>	
Total weight (with fork)	23535lb
Tire specification	13.00-24
<b>Performance</b>	
Max. lifting capacity	8000lb
Load center to carriage	1.96ft
Max. lifting height	44ft
Lift capacity at maximum height	6000lb
Max. outreach	30.5ft
Lift capacity at maximum reach	1200lb
Boom up	≤ 13s
Boom down	≤ 9s
Boom extend	≤ 13s
Boom retract	≤ 13s
Fork tilt down	≤ 5s
Fork tilt up	≤ 5s
Boom luffing range	-5.5° ~ 69°
Carriage tilt range	-14° ~ 112°
Max. traveling speed	≥ 20mph
Max. traction force	≥ 75kN
Min. turning radius	≤ 11.81ft
Frame leveling angle	± 10°
<b>Power System</b>	
Power source	Diesel engine
Engine brand/model	Deutz TCD3.6
Number of cylinders	4
Rated power/rpm	74.2hp
Emission standard	Tier 4F
Max. torque/rpm	2300 r/min
Fuel tank volume	37gal
<b>Transmission System</b>	
Numbers of gears (forward/backward)	4/3
Transmission type	Hydrodynamic drive
Steering mode	4-wheel steering
Drive mode	4×4
<b>Hydraulic System</b>	
Hydraulic pump type	Piston pump
Hydraulic system pressure	28Mpa
Hydraulic system flow	150L/min
Hydraulic oil tank volume	39.6gal

## ▶ STANDARD CONFIGURATION

### • Cabin

- FOPS and ROPS certification
- Heating and cooling air conditioning
- Adjustable hover seat
- Seat belt not fastened detection function
- Multifunction proportional handle
- Anti-tip system
- Scram switch
- Rotating alarm lamp
- The reverse buzzer
- Astern image
- 7 "monitor
- Adjustable steering wheel
- Windshield wiper
- Megaphone
- Radio
- Cigarette lighter
- Cup holder
- Crash hammer
- Extinguisher

### • Chassis

- Wet brake system
- Suspension and shock absorption system
- Multi-mode steering function
- Rear axle midposition detection function

### • Boom

- Boom sections synchronous telescoping
- Real-time length and angle feedback system
- Fork automatic leveling
- Manual quick change

## OPTIONAL CONFIGURATION

- Boom Attachment Harness
- Attachment Fuel Port Extension
- Foam filled tires
- Fuel heating system

## OPTIONAL ATTACHMENTS

- Forks
- Bucket
- Hooks